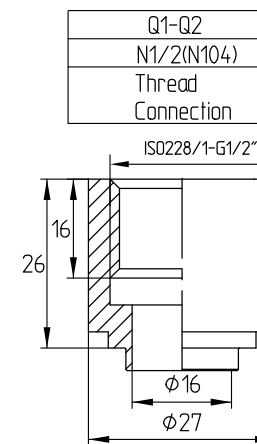
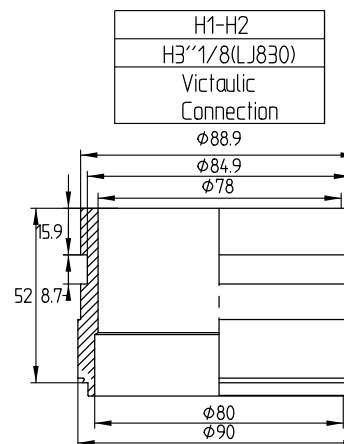
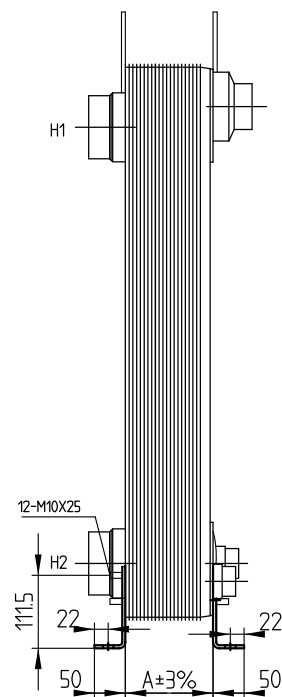
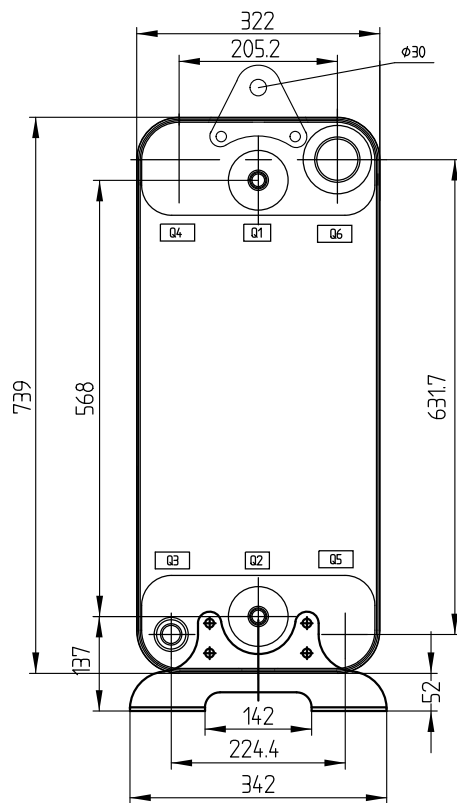
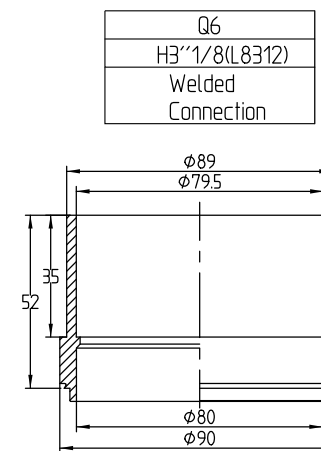
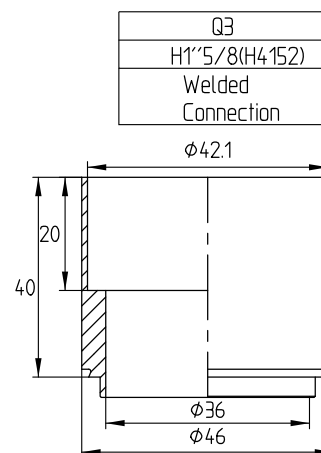
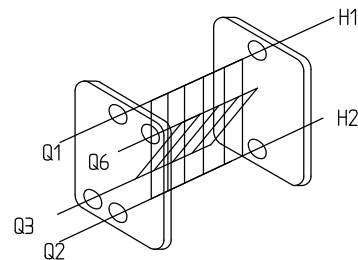
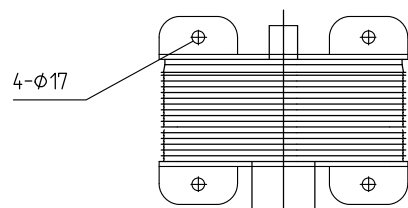


CONTROLLED



Note: Add unit foot and lifting lug

DESIGN DATA	
DESIGN PRESSURE	3.0MPa
TEST PRESSURE	4.5MPa
DESIGN TEMPERATURE	-196/+225
LEAKAGE TEST	Helium Test
PLATE MATERIAL	316L
PIPE MATERIAL	304
FRAME MATERIAL	304

ID	RIDAN Code	Drawing No.	Model	Plates(n)	A	WEIGHT	VOLUME
1	021H4755R	2305515	210	150	400	120.3Kg	Q3Q6:37L/H1H2:37.5L

Assembly drawing	DEPARTMENT	Sales	DATE	2022/05/06	SCALE		
	DESIGNER	JLN	2022/05/06		RD-210-150-3.0-HQ-Q1Q2(N1/2) /Q3(H1"5/8)/H1H2(H3"1/8)/ Q6(H3"1/8)/12-M10*25		
	INSPECTOR	ZJF	2022/05/06				
APPROVAL	FL	2022/05/06	DRAWING NO.	2305515	REV	0	