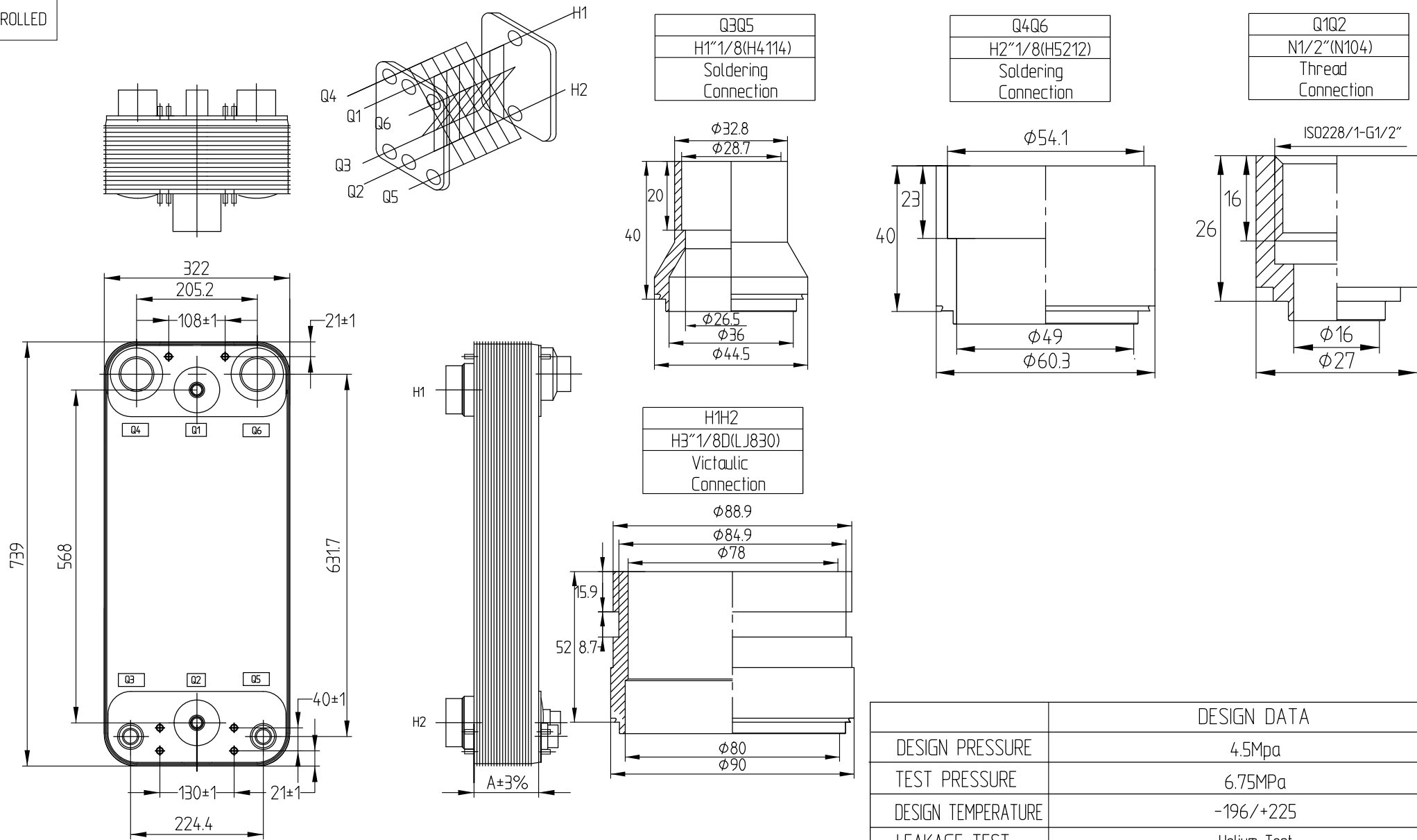


CONTROLLED



Note: front and back frame welding 12-M10X25 bolts

DESIGN DATA	
DESIGN PRESSURE	4.5Mpa
TEST PRESSURE	6.75MPa
DESIGN TEMPERATURE	-196/+225
LEAKAGE TEST	Helium Test
PLATE MATERIAL	316L
PIPE MATERIAL	304
FRAME MATERIAL	304

ID	RIDAN Code	Drawing No.	Model	Plates(n)	A	WEIGHT	VOLUME
1	021H8465R	2306588	210	98	264	88Kg	H1H2:24.5L/Q3Q6:11.75L/Q4Q5:11.75L

Assembly drawing	DEPARTMENT	Sales	DATE	SCALE		
	DESIGNER	JLN	2022/06/26			
	INSPECTOR	ZJF	2022/06/26			
	APPROVAL	FL	2022/06/26			
DRAWING NO.		2306588		REV		0

DESIGNATION RD-210-98-4.5-HDQ-Q1Q2(N1/2)/Q3Q5(H1"1/8)/Q4Q6(H2"1/8)/H1H2(H3"1/8)/12-M10\*25