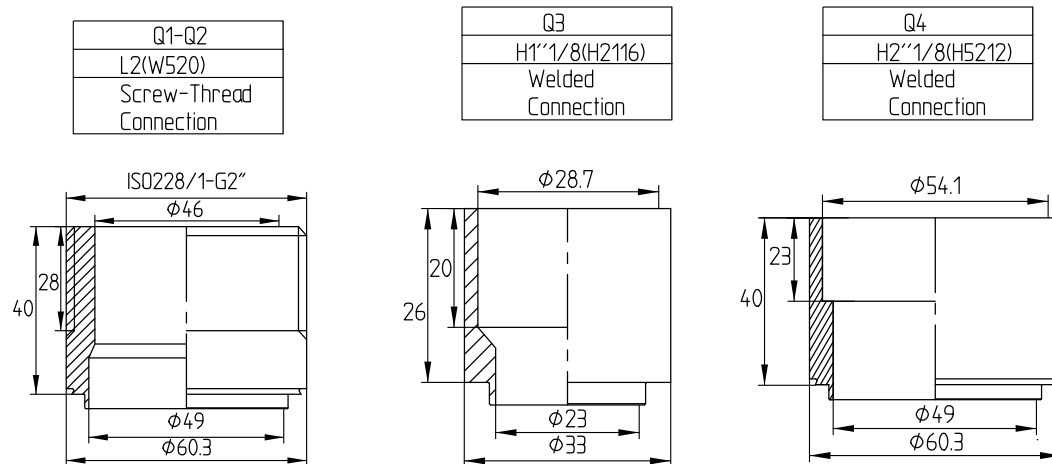


Note: Add unit foot



		DESIGN DATA			
DESIGN PRESSURE		3.0MPa			
TEST PRESSURE		4.5MPa			
DESIGN TEMPERATURE		-196/+225			
LEAKAGE TEST		Helium Test			
PLATE MATERIAL		316L			
PIPE MATERIAL		304			
FRAME MATERIAL		304			
Assembly drawing	DEPARTMENT	Sales	DATE	SCALE	
	DESIGNER	JLN	2022/05/06		
	INSPECTOR	ZJF	2022/05/06		
	APPROVAL	FL	2022/05/06		
DESIGNATION		RD-095-140-3.0-HQ-Q1Q2(L2)/Q3(H1 1/8)/Q4(H2 1/8)/4-M8*23			
DRAWING NO.		2305517		REV 0	

ID	RIDAN Code	Drawing No.	Model	Plates(n)	A	WEIGHT	VOLUME
1	021H6832R	2305517	095	140	334	56.49Kg	Q1Q2:14.2L/Q3Q4:14L