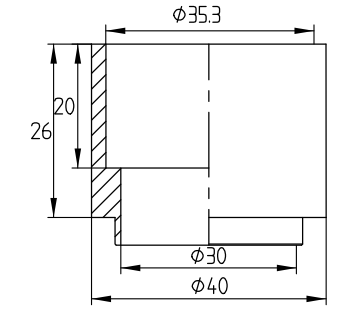
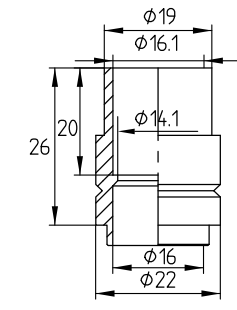
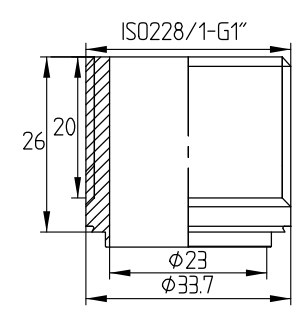


Q1-Q2
L1(W210)
Screw-Thread Connection


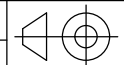
Q3
H5/8(D1161)
Welded Connection

Q4
H1 3/8(H3131)
Welded Connection



ID	RIDAN Code	Drawing No.	Model	Plates(n)	A	WEIGHT	VOLUME
1	021B4544R	2305481-01	052	46	116	10.9Kg	Q1Q2:2.3L/Q3Q4:2.2L
2	021B4545R	2305481-02	052	50	126	11.7Kg	Q1Q2:2.5L/Q3Q4:2.4L
3	021B4546R	2305481-03	052	60	149	13.66Kg	Q1Q2:3.0L/Q3Q4:2.9L

		DESIGN DATA	
DESIGN PRESSURE		3.0MPa	
TEST PRESSURE		4.5MPa	
DESIGN TEMPERATURE		-196/+225	
LEAKAGE TEST		Helium Test	
PLATE MATERIAL		316L	
PIPE MATERIAL		304	
FRAME MATERIAL		304	

Assembly drawing	DEPARTMENT	Sales	DATE	SCALE	 DESIGNATION RD-052-n-3.0-HQ-Q1Q2(L1)/Q3(H5/8)/Q4(H1 3/8)
	DESIGNER	JLN	2022/05/06		
	INSPECTOR	ZJF	2022/05/06		
	APPROVAL	FL	2022/05/06		
DRAWING NO.			2305481	REV	0