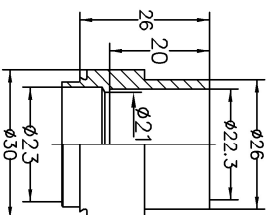
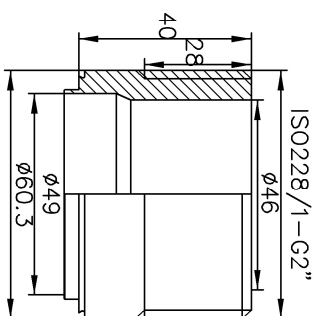


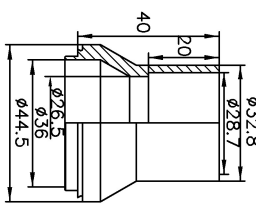
H3-05
H7/8(H2075)
Solder connection



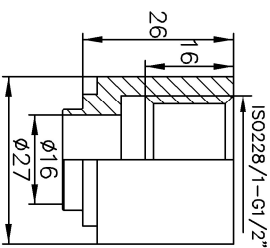
H1-H2
L2(W520)
Thread connection



H6-04
H1*1/8(H4114)
Solder connection



01-02
N1/2(N104)
Thread connection



ID	RIDAN Code	Drawing No.	Model	Plates(n)	A
1	111B0303R	2306893	113W	50	112

Note: Add feet

DESIGN DATA	
DESIGN PRESSURE	3.0MPa
TEST PRESSURE	4.5MPa
DESIGN TEMPERATURE	-196/+225
LEAKAGE TEST	Helium Test
WEIGHT	27Kg
VOLUME	H1H2:5L Q4Q5: 2.3L; H3H6: 2.3L
PLATE MATERIAL	316L
PIPE MATERIAL	304
FRAME MATERIAL	304

DESIGNER		DATE		SCALE	
JLN		2022/07/08		1:1	
INSPECTOR				DRAWING NO.	
ZJF				2306893	
APPROVAL				REV 0	
FL					



RD-113W-50-3.0-HDD-
H305KH7/8)/Q4H5CH1/1/8)/
H1H2(L2)/Q1Q2(N1/2)/4-M8*23