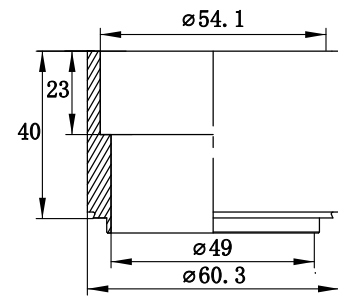
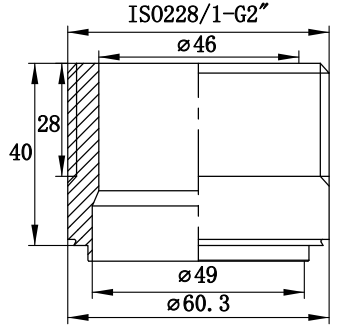


H1-H2
L2 (W520)
Screw-Thread
Connection

Q3-Q4
H2' 1/8 (H5212)
Welded
Connection



Note: Add unit foot

ID	RIDAN Code	Drawing No.	Model	Plates(n)	A	WEIGHT	VOLUME
1	021H9030R	2305530	095B	30	95	17.14Kg	H1H2:3.75L/Q3Q4:3.5L

①

DESIGN DATA	
DESIGN PRESSURE	3.0MPa
TEST PRESSURE	4.5MPa
DESIGN TEMPERATURE	-196/+225
LEAKAGE TEST	Helium Test
PLATE MATERIAL	316L
PIPE MATERIAL	304
FRAME MATERIAL	304

Assembly drawing	DEPARTMENT	Sales	DATE	2022/05/06	SCALE		
	DESIGNER	JLN	INSPECTOR	ZJF			
	APPROVAL	FL	DATE	2022/05/06			
	DRAWING NO.	2305530	REV	1			

Version	Change date	Description	State	Designer
1	2022/06/28	Change RIDAN code from 021H9796R to 021H9030R	①	JLN