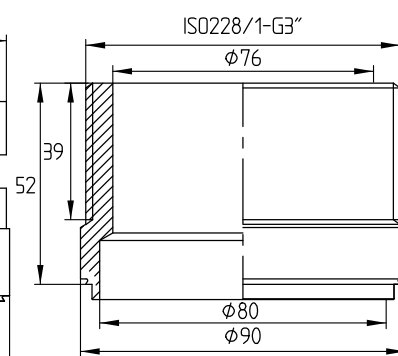
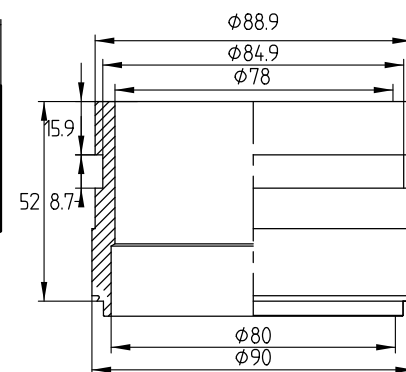
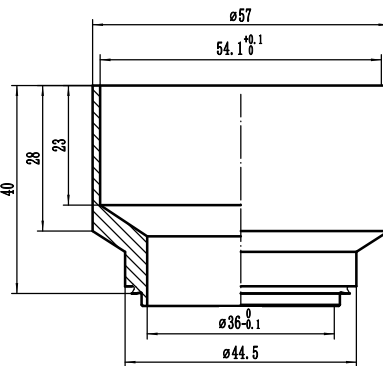
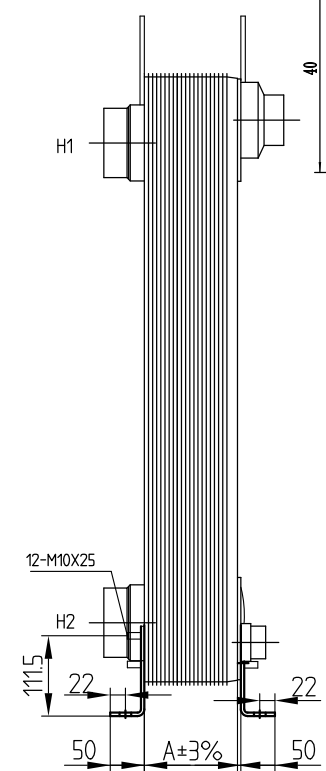


Q3
H2"1/8(H412)
Soldering Connection

Q6
H3"1/8(LJ830)
Soldering Connection

H1H2
L3(LW830)
Thread Connection



Note: Add unit foot and lifting lug

DESIGN DATA	
DESIGN PRESSURE	4.5Mpa
TEST PRESSURE	6.75MPa
DESIGN TEMPERATURE	-196/+225
LEAKAGE TEST	Helium Test
PLATE MATERIAL	316L
PIPE MATERIAL	304
FRAME MATERIAL	304

ID	RIDAN Code	Drawing No.	Model	Plates(n)	A	WEIGHT	VOLUME
1	021H8494R	2306596	210	80	217	74Kg	H1H2:20L/Q3Q6:19.5L

Assembly drawing	DEPARTMENT Sales	DATE 2022/06/26	SCALE		
	DESIGNER JLN	2022/06/26			
	INSPECTOR ZJF	2022/06/26			
	APPROVAL FL	2022/06/26			
DRAWING NO. 2306596				DESIGNATION RD-210-80-4.5-HQ-H1H2 (L3)/Q3(H2"1/8)/Q6(H3"1/8)/12-M10*25	
				REV 0	